

MCMJ1 series

PEN CYLINDERS

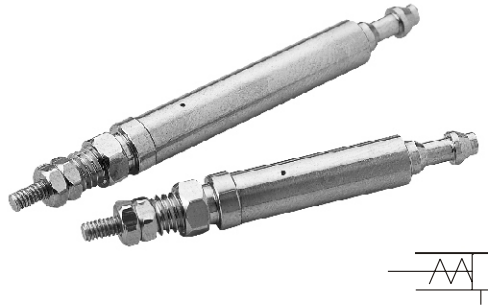
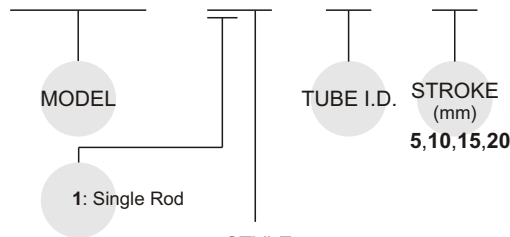


Table for standard stroke

Tube I.D.	Stroke (mm)
φ 4	5,10,15,20

Order example:

MCMJ1 – 15 – 4 – 10



STYLE:

Code	Symbol	Description
1 5		Single acting / Normally returned male thread

Specification:

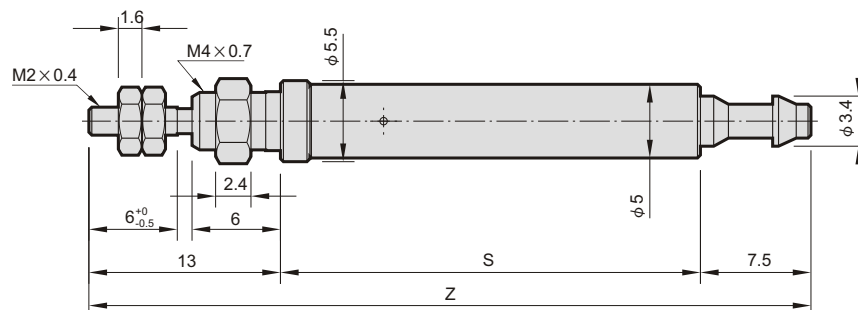
Model	MCMJ1
Acting type	Single acting
Tube I.D. (mm)	4
Medium	Air
Max operating pressure	7 kgf/cm ²
Min operating pressure	3 kgf/cm ²
Proof pressure	10 kgf/cm ²
Ambient temperature	-5~+60°C (No freezing)
Lubricator	Not required
Available speed range	50~500 mm/sec

Spring retracting force (N)

Tube I.D.	Extended position	Retracted position
φ 4	3.04	1.07

Theoretical force (N)

Tube I.D.	Operation direction	Piston area (mm ²)	Operating pressure (MPa)				
			0.3	0.4	0.5	0.6	0.7
φ 4	OUT	12.6	0.74	2.0	3.26	4.52	5.78
	IN	—	1.47				



Code Stroke I.D.	S				Z			
	5	10	15	20	5	10	15	20
4	19.5	28.5	37.5	46.5	40	49	58	67